

Typ:	Patch panel	13.06.2017
	Patch panel angled, 24xRJ45/u/s, unequipped	REV: 0.1/MSO
Ref:	XBA100.224.x	

## Modular patch panel, angled 24xRJ45/u/s, unequipped, 1U



### DESCRIPTION:

- 1U/19" montage,
- Modular for keystone type connection modules (shielded/unshielded)
- Integrated cable shelf for cable fixation
- Up to 24 RJ45/u/s ports,
- Angled front plate
- Metal construction enabling galvanic connection of connection modules screens (for shielded version only)
- Large, visible port labeling,
- Color coding by removable dust cover protection

### TECHNICAL SPECIFICATION:

#### Material:

Construction - Steel sheet, tin plated

#### Weight:

0,8 kg

#### Scope of supply:

Unequipped frame

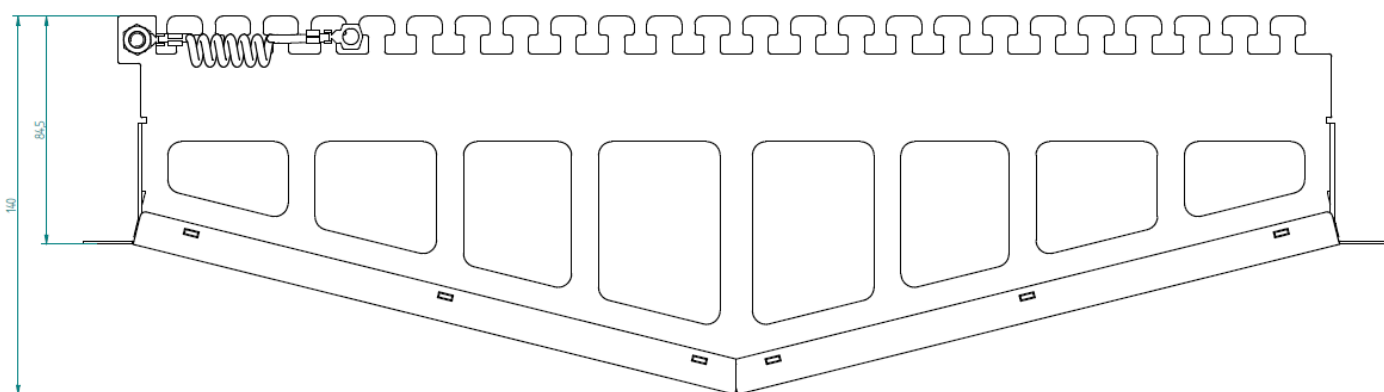
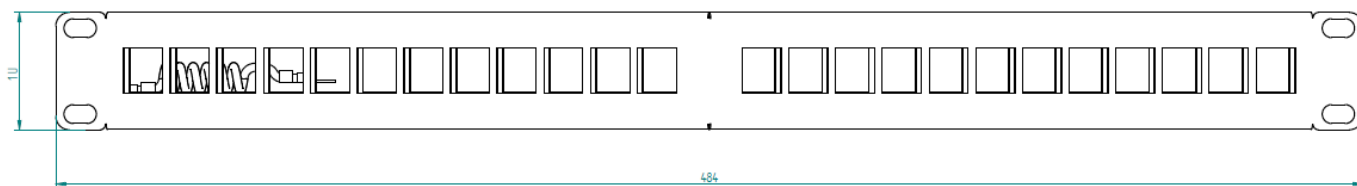
#### Color:

Black: RAL 9005  
Grey: RAL 7035.

#### Operational temperature range:

-40°C do +70°C

Typ:	Patch panel	13.06.2017
	Patch panel angled, 24xRJ45/u/s, unequipped	REV: 0.1/MSO
Ref:	XBA100.224.x	



Parameters				Reference number
Height [U = 44,45mm]	Width [mm]	Depth [mm]	Color/RAL	
1U	19"	140	Black/ 9005	XBA100.224.1
1U	19"	140	Grey/ 7035	XBA100.224